

MODEL 40-74

SPECIFICATIONS

TYPE OF CIRCUIT: Model 40-74 is a portable, four-tube, battery operated superheterodyne radio, designed with a built-in loop aerial. Connections are also provided for an external aerial and ground.

TUNING RANGE: 530 to 1600 K. C.

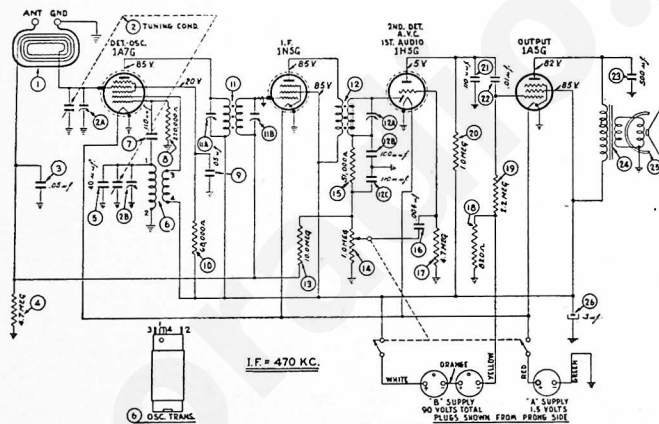
INTERMEDIATE FREQUENCY: 470 K. C.

PHILCO TUBES USED: One 1A7G, converter; one 1N5G, I. F. amplifier; one 1H5G, 2nd detector, 1st audio, A. V. C.; one 1A5G, output.

BATTERIES REQUIRED: One "A" pack, Philco Type P-94
Two "B" packs, Philco Type P-305

BATTERY DRAIN: "A" 200 M. A.; "B" 7.2 M. A.

The R. F. and I. F. aligning procedure for this model is the same as that listed for Model 40-81 on page 40, with the exception of the padder numbers. Model 40-74 I. F. padders are 12A, 11B and 11A. The R. F. padder located on the bottom of the condenser and reached through the bottom of the cabinet are 2B oscillator and 2A (aerial).



SCHEMATIC DIAGRAM MODEL 40-74

Wiring Diagram, PHILCO Model 40-74

REPLACEMENT PARTS

SCHE. No.	DESCRIPTION	PART No.	SCHE. No.	DESCRIPTION	PART No.	SCHE. No.	DESCRIPTION	PART No.
1	Loop Assembly	40-6421	14	Volume Control (1.0 meg.)	33-5310	MISCELLANEOUS PARTS		
2	Tuning Condenser	31-2403	15	Resistor (51,000 ohms, 1/2 watt)	33-351339		Cabinet (Model 40-74T)	10399A
3	Tubular Condenser (.05 mfd.)	30-4519	16	Tubular Condenser (.004 mfd.)	30-4578		Cabinet (Model 40-74T-C.L.S.)	10399B
4	Resistor (4.7 meg., 1/2 watt)	33-547339	17	Resistor (4.7 meg., 1/2 watt)	33-547339		Dial	27-5542
5	Mica Condenser (40 mmfd.)	30-1095	18	Resistor (820 ohms, 1/2 watt)	33-182339		Drive Cord Assembly	31-2318
6	Oscillator Transformer	32-3274	19	Resistor (2.2 meg., 1/2 watt)	33-522339		Drive Shaft and Bracket	31-2324
7	Mica Condenser (110 mmfd.)	30-1031	20	Resistor (1.0 meg., 1/2 watt)	33-510339		Flag Cam and Hub Assembly	38-9861
8	Resistor (220,000 ohms, 1/2 watt)	33-422339	21	Mica Condenser (110 mmfd.)	30-1031		Knobs (Volume and Tuning)	27-4862
9	Tubular Condenser (.05 mfd.)	30-4444	22	Tubular Condenser (.01 mfd.)	30-4572		Pointer	27-4845
10	Resistor (68,000 ohms, 1/2 watt)	33-368339	23	Mica Condenser (500 mmfd.)	30-1114		Speaker	36-1482
11	First I. F. Transformer Assembly	32-3103	24	Output Transformer	32-8096		Speaker Grille	56-1255
12	Second I. F. Trans. Assembly	32-3176	25	Cone and Voice Coil Assembly			Spring (Drive Cord)	28-8954
12-C	Mica Condenser (110 mmfd.)	30-1031		(Speaker Part No. 36-1482-3)	36-4121		Sockets (Six-prong)	27-6086
13	Resistor (10.0 meg., 1/2 watt)	33-610339	26	Electrolytic Condenser (3 mfd.)	30-2359		Sockets (Seven-prong)	27-6087
							Shield (Tube)	56-1260
							Shield Base	56-1259
							Shield Cap	56-1261